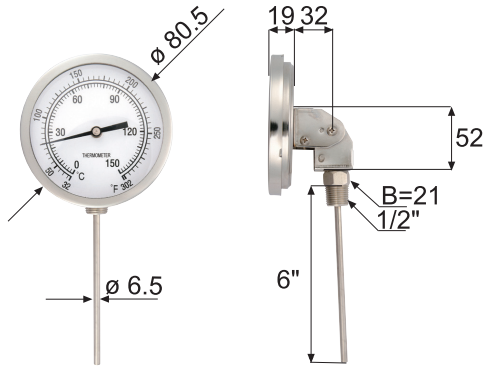
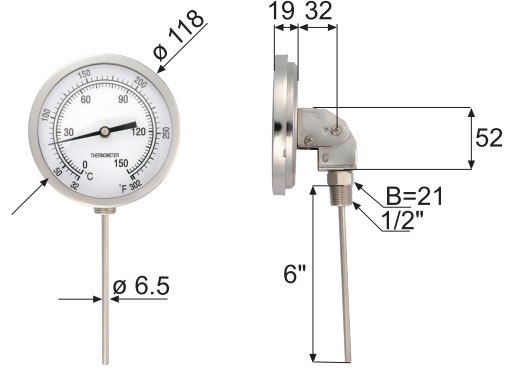


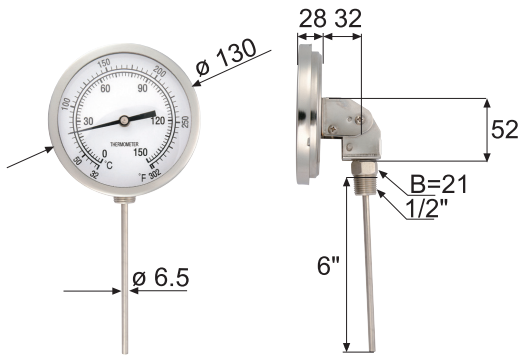
## BI-METAL THERMOMETERS



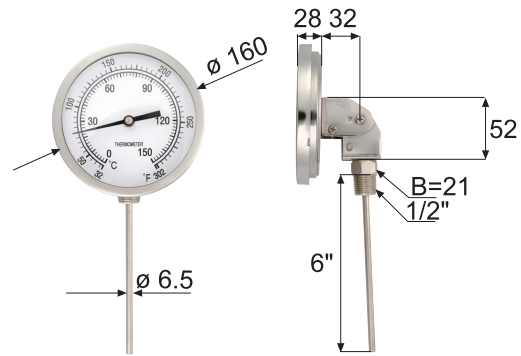
BA-3



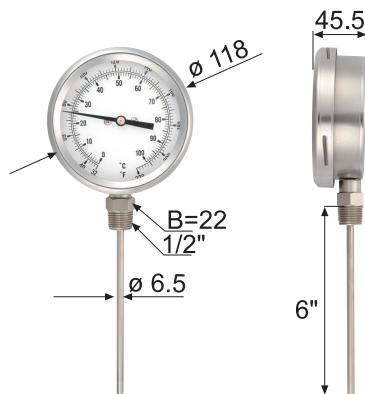
BA-4



BA-5



BA-6



BS-4